

REMOVED CONCRETE SLAB AT THIS LOCATION SEE PHOTO LW9.

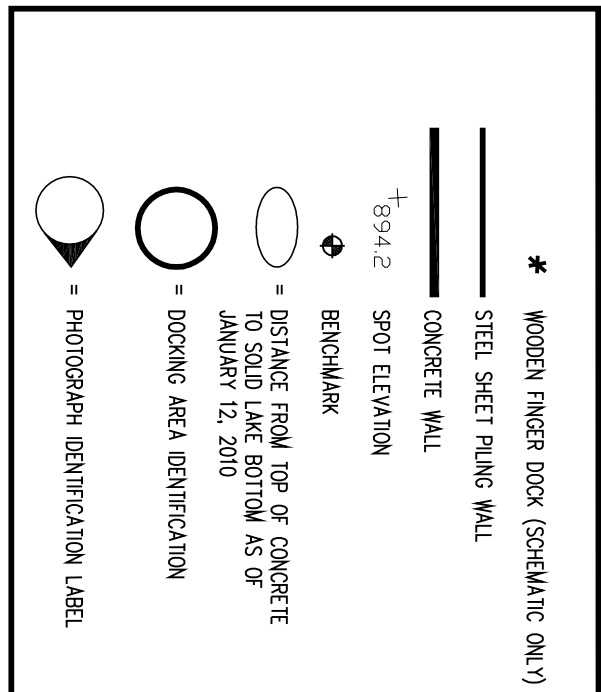
APPROXIMATE DIMENSION FROM TOP OF CONCRETE TO SURFACE OF WATER AT THIS LOCATION WAS 4'-10" ON JANUARY 10, 2010

SEE PARTIAL SITE PLAN AT PROPOSED "L" WHARF EXTENSION.

LOCATION OF EXCAVATORY 18' x 7'-0" SEE PHOTOGRAPHS W10, W11, W12 AND W13

DRIVE NEW SHEET PILING AND TIE BACK TO EXISTING TIE BACK RODS AT TOP OF EXIST. SHEET PILING.

THIS PORTION OF EXISTING CONCRETE SEAWALL RELINCE



**BENCHMARK INFORMATION**

DATUM = NAVD 1988

SOURCE BM  
LICKING COUNTY MONUMENT 1 190

STATION RECOVERY (1998)

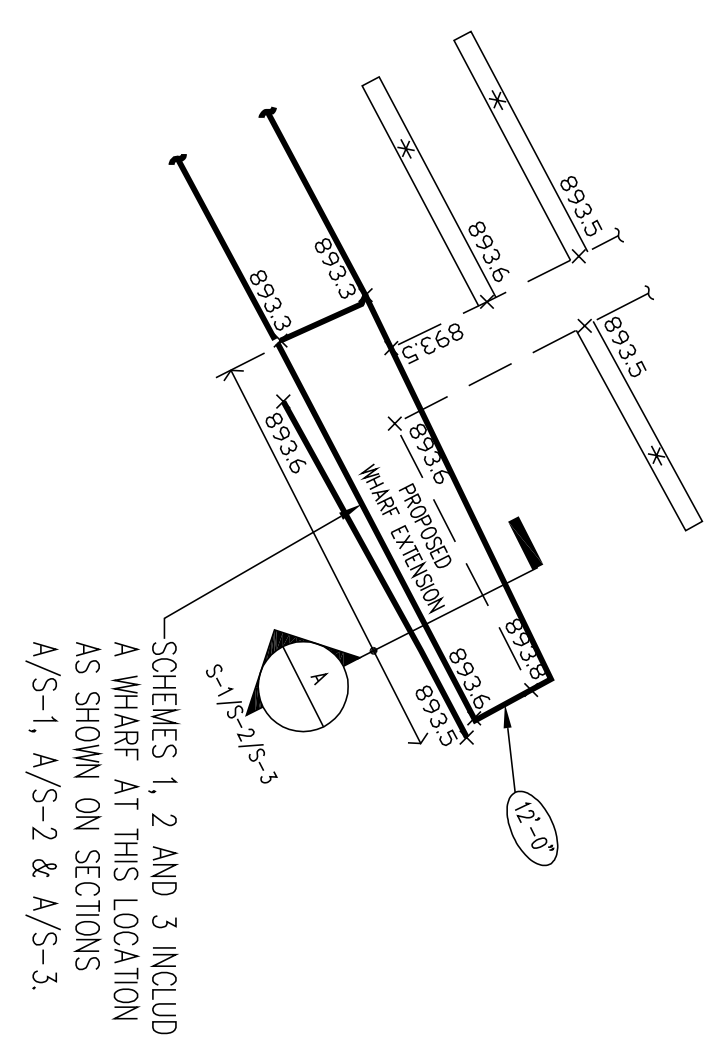
RECOVERY NOTE BY GEOMETRICS GPS INCORPORATED 1998 (DAR) THE STATION IS LOCATED IN LICKING TOWNSHIP IN LICKING COUNTY, OHIO ABOUT 2.0 MILES (3.2 KM) SOUTH OF THE TOWN OF JACKSONTOWN, TO REACH THE STATION FROM THE INTERSECTION OF US 40 AND JACKSONTOWN ROAD (SR13) PROCEED SOUTH ALONG JACKSONTOWN ROAD (SR13) A DISTANCE OF 2.8 MILES (4.2 KM) TO ITS INTERSECTION WITH LAKE SHORE BOULEVARD. TURN RIGHT AND PROCEED WEST ALONG LAKE SHORE BOULEVARD A DISTANCE OF 0.25 MILE (0.40 KM) TO ITS INTERSECTION WITH MOON RIVER LANE. TURN LEFT AND PROCEED SOUTHWEST ALONG MOON RIVER LANE A DISTANCE OF 0.1 MILE (0.2 KM) TO THE STATION ON THE LEFT IN A SMALL CONCRETE DRAIN WALL ABOUT FOUR INCHES ABOVE THE GROUND SURFACE.

EL. 902.29

BENCHMARK 1 (BM 1)  
TOP SOUTHEAST TIP OF TRIANGULAR CONCRETE BASE OF MAST POLE SOUTH SIDE OF BUCKEYE LAKE YACHT CLUB.  
EL. 894.63

BENCHMARK 2 (BM 2)  
SOUTHWEST CORNER OF CONCRETE WALK WEST OF MAIN ENTRANCE TO BUCKEYE LAKE YACHT CLUB.  
EL. 893.61

**PARTIAL SITE PLAN AT PROPOSED "L" WHARF EXTENSION**



SCHEMES 1, 2 AND 3 INCLUDE A WHARF AT THIS LOCATION AS SHOWN ON SECTIONS A/S-1, A/S-2 & A/S-3.

**SANDS DECKER CPS**  
ENGINEERS/SURVEYORS  
307 MAIN STREET  
SANDUSKY, OHIO 44870  
TEL: (419) 486-1111  
FAX: (419) 486-1112  
1801 COLLESSION RD  
SANDUSKY, OHIO 44870  
TEL: (419) 486-0600  
317 MAIN STREET, SUITE 203  
ZANESVILLE, OHIO 43905  
TEL: (614) 784-0844  
FAX: (614) 784-0844  
SDPS PROJECT NO. 2214

PROFESSIONAL SURVEY DATA PROVIDED BY

**WATKINS ISLAND SEAWALL, WHARVES AND BRIDGE ASSESSMENT**

**BUCKEYE LAKE YACHT CLUB**  
5109 NORTH BANK  
POST OFFICE BOX 867  
BUCKEYE LAKE, OHIO 43008

March 10, 2010

**SITE PLANS SP-1**